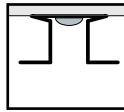
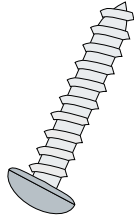


# FIXATION WITH RAIL

## MULTI-MONTI®-plus FIX-B BETONSCHRAUBE

vis béton | vite cemento | cement screw | tornillo concreto

Nr. 4614



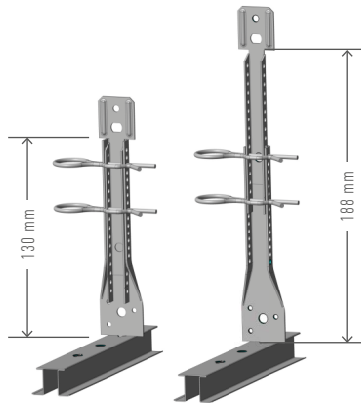
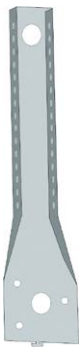
ca. 20 m<sup>2</sup> / box  
100 pces / box



## ADAPTER SYSTEM NONIUS NR. 301

für | pour | per | por | para RAIL H

ca. 20 m<sup>2</sup> / box  
100 pces / box



## DISTANCE HOLDER NR. 330

ca. 20 m<sup>2</sup> / box  
100 pces / box

